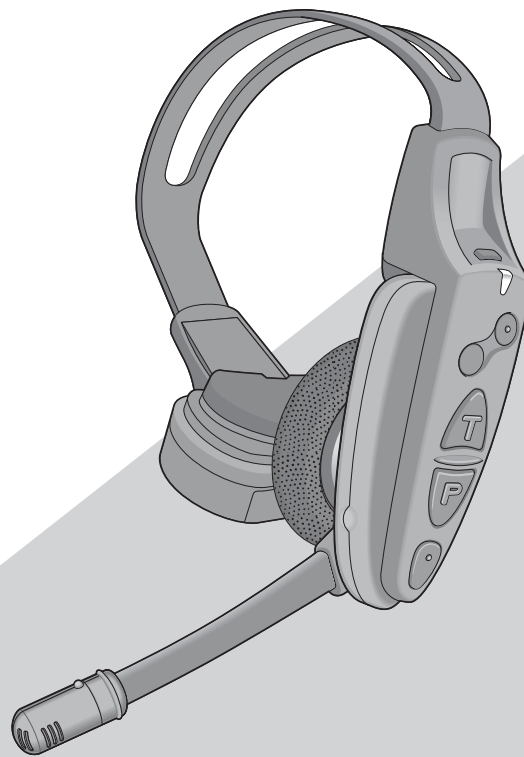


Panasonic®

All-in-One Headset Operating Instructions

Model No. **WX-CH2050**



ENGLISH

FRANÇAIS

Before attempting to connect or operate this product,
please read these instructions carefully and save this manual for future use.

ENGLISH VERSION

FEDERAL COMMUNICATIONS COMMISSION INTERFERENCE STATEMENT

This equipment has been tested and found to comply with the limits for a Class B digital device, pursuant to Part 15 of the FCC Rules. These limits are designed to provide reasonable protection against harmful interference in a residential installation. This equipment generates, uses and can radiate radio frequency energy and, if not installed and used in accordance with the instructions, may cause harmful interference to radio communications.

However, there is no guarantee that interference will not occur in a particular installation. If this equipment does cause harmful interference to radio or television reception, which can be determined by turning the equipment off and on, the user is encouraged to try to correct the interference by one of the following measures:

- Reorient or relocate the receiving antenna.
- Increase the separation between the equipment and receiver.
- Connect the equipment into an outlet on a circuit different from that to which the receiver is connected.
- Consult the dealer or an experienced radio/TV technician for help.

FCC Warning: To assure continued FCC emission limit compliance, use only the provided power supply cord and shielded interface cable when connecting this device to the computer. Also, any unauthorized changes or modifications to this equipment would void the user's authority to operate this device.

This device complies with Part 15 of the FCC Rules. Operation is subject to the following two conditions: (1) This device may not cause harmful interference, and (2) this device must accept any interference received, including interference that may cause undesired operation.

Responsible Party: Matsushita Electric Corporation of America
1707 N. Randall Rd., Elgin IL. 60123
Contact Source: Panasonic Consumer Electronics Company
866-472-6767

CAUTION

It is a violation of Federal Law to begin operating this system prior to obtaining an FCC Radio License. The FCC ID number for this radio equipment is listed below.

FCC ID: ACJ9TAWX-CH2050

ATTENTION:



A lithium-ion battery that is recyclable powers the product you have purchased. Please call 1-800-8-BATTERY for information on how to recycle this battery.

The serial number of this product may be found in the battery compartment of the unit. You should note the serial number of this unit in the space provided and retain this book as a permanent record of your purchase to aid identification in the event of theft.

Model No. WX-CH2050

Serial No. _____

CONTENTS

INTRODUCTION	3
FEATURES	3
PRECAUTIONS	3
NAMES & FUNCTIONS	4
OPERATING PROCEDURES.....	6
● Preparations	6
● Communications with Customers [TALK].....	7
● Communications with Other Store Personnel [PAGE].....	7
BATTERY LOADING & REPLACEMENT	8
● Loading	8
● Replacement	8
MAINTENANCE	8
TROUBLESHOOTING	9
SPECIFICATIONS.....	9
STANDARD ACCESSORIES	9
OPTIONAL ACCESSORIES	9
SETUP PROCEDURES	10
● Opening the Switch Pocket	10
● Channel Group Selection	10
● DIP Switch Setup	11
● Channel Interference Check	11
● Operation Mode Setup	12

INTRODUCTION

The WX-CH2050 is an all-in-one headset designed for use in wireless communication systems, which are use in Drive thru menu boards, etc. It incorporates such necessary devices as a microphone and earphone, as well as a battery compartment and control buttons. With the built-in antennas, transmitter, and receiver you can communicate by voice with other store personnel and the customer.

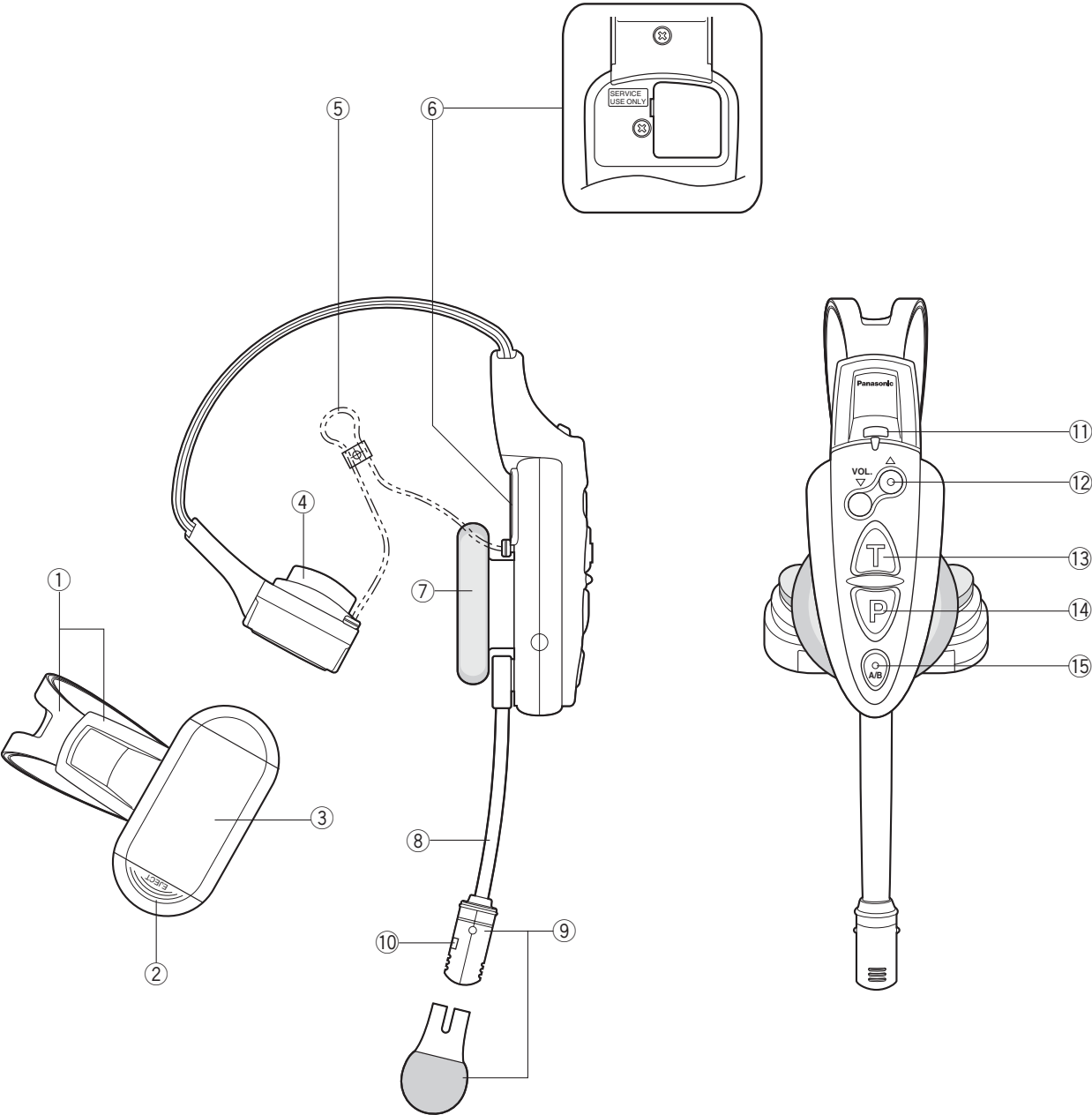
FEATURES

- Compatible center modules: WX-C1010 and WX-C1011
- Less noise and interference thanks to the use of UHF band
- Easy frequency setting by use of phase locked loop (PLL)
- A/B channel selection available for convenience of double drive-through (DDT)
- Talk mode selectable between talk-lock and press-to-talk
- Page mode selectable between page-lock and press-to-talk
- Easy-to-replace cushions: head pad cushion, earphone cushion, and windproof cushion

PRECAUTIONS

- All setup procedures of this product should be performed by qualified service personnel or system installers.
- Use only Panasonic authorized batteries like the rechargeable Li-ion 3.7 V normal type or long life type.
- Follow the battery care and handling instructions.
- Read the instructions included with the battery charger.
- Charge the battery when the power indicator lights up in red and a beep is heard in the headset. Fully charge the battery. Failure to do so may shorten the operating time.

NAMES & FUNCTIONS



① **Head Band and Head Pad**

Adjustable to your head by sliding the head pad.

② **Battery Lock [EJECT]**

When removing the battery, slide out the lock.

When loading a new battery, insert the battery until the lock clicks.

③ **Battery (Optional accessory)**

See PRECAUTIONS.

④ **Head Pad Cushion**

⑤ **Strap (Standard accessory)**

⑥ **Switch Pocket**

Do not open the lid. Should be opened only by qualified service personnel or system installers.

⑦ **Earphone Pad**

⑧ **Microphone Boom**

Adjust the microphone position to your mouth by rotating and bending the boom.

⑨ **Microphone and Windproof Cushion (Standard accessory)**

⑩ **Channel Indicator**

Stead red and green light indicates which channel is in operation.

Red: Is lit when channel A is selected.

Green: Is lit when channel B is selected.

Blinks to indicate the Talk or Page mode.

Constant Blink: Talk mode

Random Blink: Page mode

⑪ **Power Button and Indicator [POWER]**

Pressing the button for one second will turn the headset on or off.

The indicator shows the status as follows.

Green On: The headset is supplied power and in operation.

Red On: The battery requires recharging.

Red Blink: The channel selector is set to the wrong position.

⑫ **Volume Control Buttons [VOL ▲ ▼]**

Pressing the respective buttons will increase or decrease the sound level.

⑬ **Talk Button [T]**

This button controls communications with the customer.

When the button is released, you can hear any customer who is at the menu-board.

While the button is held down in the press-to-talk mode, you can speak to the customer.

When the button is pressed in the talk-lock mode, you can speak to the customer until you press the button a second time.

⑭ **Page Button [P]**

This button controls communications with store personnel.

When the button is released, you can hear the communications among store personnel.

While the button is held down in the press-to-talk mode, you can speak to store personnel.

When the button is pressed in the page-lock mode, you can speak to the store personnel until you press a button a second time.

⑮ **A/B Channel Selection Button [A/B]**

This button switches the frequencies used from channel A to B and vice versa. The channel indicator will display the currently selected channel in red (A) or green (B).

OPERATING PROCEDURES

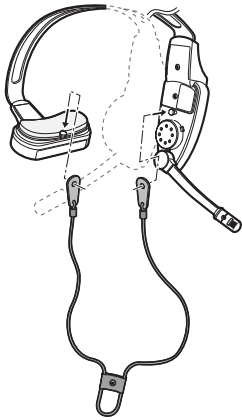
Notes:

- Transmission using the talk [T] or page [P] button is allowed for a single headset at a time. A continuous beep or distorted sound will be heard in a headset that tries to transmit while another person is operating.
- Maintain a distance of more than 0.3 m (1 ft) between the headset and the order taker, or more than 1 m (3 ft) between the headset and the center module.

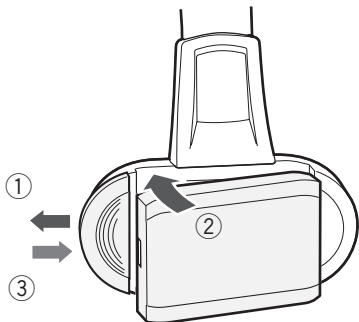
● Preparations

Prior to operating the headset, confirm that the system setup for the headset, center module, and other devices has been completed.

1. Hook the tabs of the strap to the two strap buttons on the headset. There are two strap buttons on the headset: one is at the lower part of the head pad, and the other is behind the ear cushion.



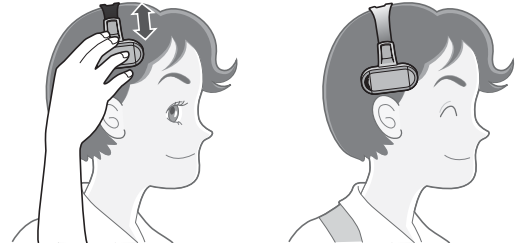
2. Install a battery in the battery compartment, referring to BATTERY LOADING & REPLACEMENT.



3. Wear the headset, and route the strap behind your neck.



4. Adjust the head pad so that the earphone is placed on your ear.



5. Rotate and bend the microphone boom so that the microphone is placed near your mouth.



6. Press the power button to turn on the headset.



● Communications with Customers [TALK]

Any store personnel wearing the headset can communicate bidirectionally with any customer who is at the menu board.

1. Select a proper sound level by pressing the [▲] or [▼] button.



2. You will hear a tone in the headset when a vehicle arrives at the menu board.

Note: The tone duration varies depending on the settings made in the center module.

<When the talk-lock mode is preset>

1. Press the talk [T] button and speak to the customer. A short beep repeats in the headset.



2. Press the button again to release the lock and listen to the customer.



<When the press-to-talk mode is preset>

1. Hold down the talk [T] button and speak to the customer. A short beep repeats in the headset.



2. Release the button and listen to the customer.



● Communications with Other Store Personnel [PAGE]

Store personnel wearing the headset can communicate with each other without being heard by customers.

<When the page-lock mode is preset>

1. Press the page [P] button and speak into the microphone at a normal level.

A short beep repeats in the headset to notify all store personnel that the system operates in the page mode.



2. Press the page [P] button again to release the lock and listen to the response from other store personnel.



<When the press-to-talk mode is preset>

1. Hold down the page [P] button and speak into the microphone at a normal level.

A short beep repeats in the headset to notify all store personnel that the system operates in the page mode.



2. Release the button and listen to the response from other store personnel.

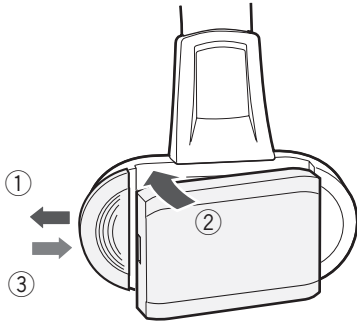


BATTERY LOADING & REPLACEMENT

Notes:

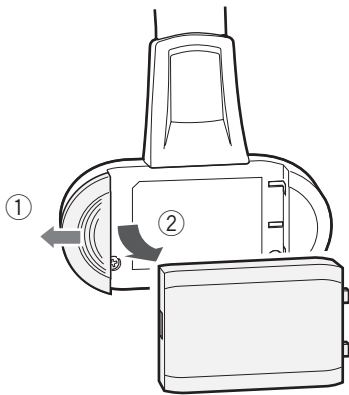
- Refer to operating instructions included with the battery and battery charger.
- Battery replacement is recommended when the power indicator lights up in red and a pulsing beep is heard in the headphone.

● Loading



1. Prepare a fully charged battery.
2. Insert the battery as shown in the figure.
Note: Be sure to insert it until the lock clicks.

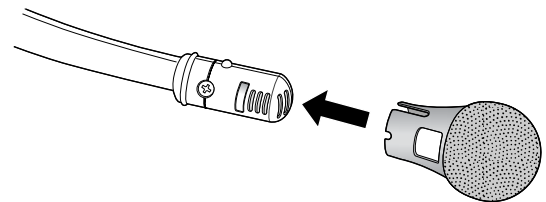
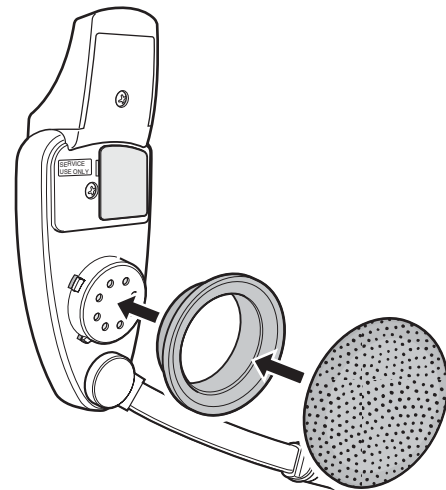
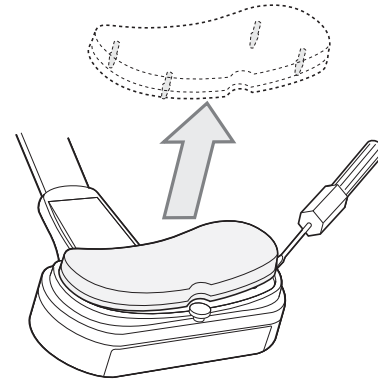
● Replacement



1. Slide the battery lock to the outside.
2. Remove the battery.
3. Proceed as described in "Loading" above.

MAINTENANCE

The head-pad cushion, earphone-pad and the windproof cushion of the microphone soil easily. Replace them as necessary.



TROUBLESHOOTING

Phenomenon	Possible Cause	What to do
The power indicator blinks in red.	A wrong channel is selected.	Select any of channels 1 through 8. If no remedy exists, consult your dealer for repairs.
The power indicator lights up in red.	The battery power is nearing its end.	Recharge the battery.
Cannot turn on the headset.	The battery is exhausted. The battery is not inserted correctly.	Recharge the battery. Position the battery properly.
Cannot communicate with other store personnel or the customer at the menu board.	The center module may be turned off.	Turn on the power switch of the center module. If no remedy exists, consult your dealer for repairs.
Cannot hear or talk to the customer, while communications with the store personnel are OK.	The vehicle detector may malfunction because it is not plugged into the center module, no power is supplied, or the detecting function is out of order.	Check that the vehicle detector is plugged in and is supplied power. If no remedy exists, consult your dealer for repairs.
Cannot "page" or "talk" in certain areas.	Radio wave intensity is insufficient in the areas.	Remove any metal obstacles blocking radio waves, or extend the transmission antennas.
A constant beep is always heard in the headset when the "page" or "talk" button is pressed.	The "page" or "talk" button on one of the units may be kept depressed.	Turn off the units one by one while listening to the beep. You can identify the faulty unit through the process of the elimination of the units. Consult your dealer for repairs.

SPECIFICATIONS

Operating Frequency:	UHF/FM
Type of Radio Wave:	F3E
Required Power Supply:	Rechargeable Li-ion Battery, 3.7 VDC, normal type or long life type
Control Function:	Power (On/Off) Volume (Up/Down) Talk Page Channel Selection (A/B) Channel Group Selection (1-8) DIP Switch Setup (8 bit)
Dimensions:	140 mm(W) x 240 mm(H) x 84 mm (D) 5-1/2" (W) x 9-7/16" (H) x 3-5/16" (D)
Weight (excluding battery):	160 g (0.35 lbs)

STANDARD ACCESSORIES

Windproof Cushion	1
Strap.....	1
Miniature Screwdriver	1

OPTIONAL ACCESSORIES

Long Life Battery (Li-ion 3.7 VDC, 1 500 mA/h).....	2050BAT
Standard Battery (Li-ion 3.7 VDC, 1 035 mA/h).....	2051BAT
Battery Charger.....	2050CH

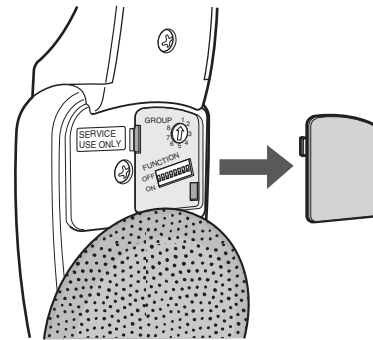
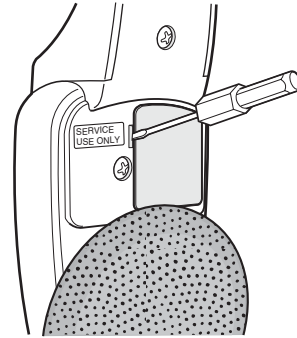


SETUP PROCEDURES

Caution: Setup of this product should only be performed by qualified service personnel or system installers.

● Opening the Switch Pocket

1. Press the power button to turn off the headset.
2. Open the switch pocket adjacent to the ear pad using the supplied screwdriver.
3. Set the switches as described below.
4. After finishing the setup, turn on the headset.
5. Replace the lid.



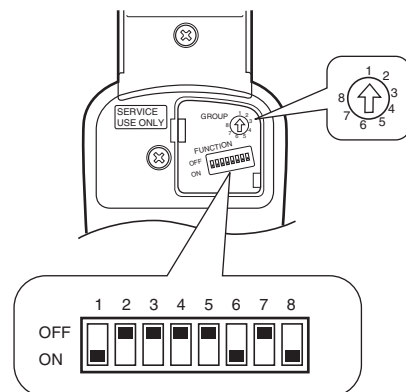
● Channel Group Selection

You can select a channel group by setting the rotary switch inside the pocket.

Note: When a switch position other than 1 through 8 is selected, the power indicator will blink in red.

1. Press the power button to turn off the headset.
2. Set the switch to the channel group.

Available Channel Group: 1 - 8



● DIP Switch Setup

An eight-bit DIP switch is provided for system setups. The initial setting is marked with an asterisk *.

SW#	Function	ON	OFF
1	Location	USA*	CANADA
2			OFF*
3			OFF*
4			OFF*
5			OFF*
6	Tone Squelch	ON*	OFF
7	Talk Lock Resumption	ON	OFF*
8		ON*	

1. Press the power button to turn off the headset.
2. Set the switches as follows.

SW#1: For selection of a radio frequency suitable for the location

ON: Applies the US frequency to the headset.

OFF: Applies the Canadian frequency.

SW#2: Not used

SW#3: Not used

SW#4: Not used

SW#5: Not used

SW#6: Enables or disables the tone squelch function.

ON: Outputs audio after detecting the tone squelch.

OFF: Outputs audio disregarding the tone squelch.

Notes:

- Set the switch to the normal ON position. Pay attention to a high level noise that may be output when set to OFF.
- SW#6 and SW#8 are used for channel interference check while turning on the headset. See below.

SW#7: While talking with a customer in the TALK lock mode, you may need to contact store personnel in the PAGE mode which interrupts the TALK mode. This switch specifies the status of the interrupted TALK lock mode after ending the PAGE mode.

ON: Resumes the TALK lock mode.

OFF: Releases the TALK lock mode.

SW#8: ON

● Channel Interference Check

SW#6 and SW#8 have the specific function of checking whether or not there is radio wave interference in the selected channel group.

1. Press the power button to turn off the headset.

<When WX-C1010 or WX-C1011 is used>

2. Set the switches as follows, and turn on the headset. A loud noise will be heard in the headset.

SW#6: OFF

SW#8: ON

3. Listen to the sound while repeatedly pressing the [A/B] button. Only random noise will be heard if there is no interference. The presence of any foreign sound indicates that there is interference.

● Operation Mode Setup

Three operation modes can be set up to adapt the headset to your requirements.

- Default channel setup
- Talk lock/ Talk PTT (press to talk)
- Page lock/Page PTT

	Indicator			Selected Mode	Selection	Transition	Exit
	Power	A/B channel					
		Red	Green				
Off	—	—	—	—	—		
Default Channel Setup				Selected Channel	A/B Button		While holding down T and P buttons, press [POWER].
			—	A	Disable		
	↓		—	A	Enable		
	↓	—		B	Disable		
	↓	—		B	Enable		
Talk Setup			—	Talk Lock			Press [POWER].
	↓		—	Talk PTT			
Page Setup		—		Page PTT			Press [POWER].
	↓	—		Page Lock			

PTT stands for "press to talk".

The default settings are enclosed in bold lines in the table.

1. Press the power button to turn off the headset.
2. While holding down the talk [T] and page [P] buttons simultaneously, press the power button to turn on the headset.
The headset enters the setup mode where the indicators and buttons have different functions than in normal operation.
3. Select a default channel setup from four options, pressing the [T] button.
4. Press the [A/B] button to move to the talk setup and page setup.
5. Select a talk mode, pressing the [T] button.
6. Select a page mode, pressing the [P] button.
7. Press the [A/B] button to confirm that the indicators show the three modes selected for the default channel, talk and page.
8. Press the power button to turn off the headset, then turn it on again. The newly selected operation mode will be applied to the headset.

Panasonic Digital Communications & Security Company
Unit of Matsushita Electric Corporation of America

Information Systems Group

Zone Office
1707 N.Randall Road, Elgin, IL 60123 (866) 472-6767

PANASONIC CANADA INC.
5770 Ambler Drive, Mississauga,
Ontario, L4W 2T3 Canada (905)624-5010