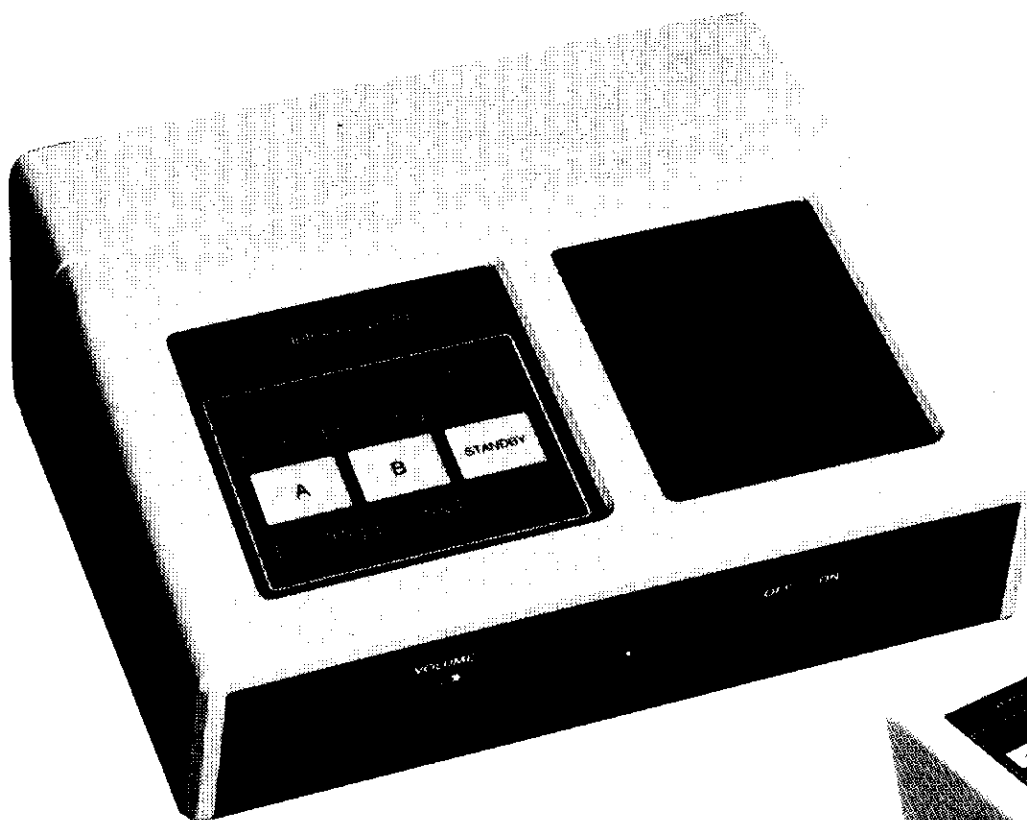
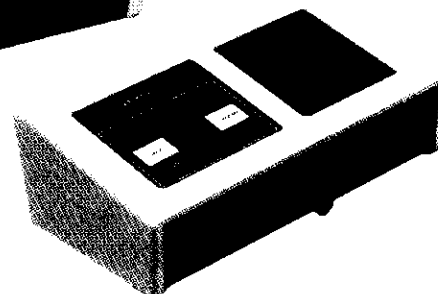


3M Intracom Operating Guide Model D-30 & Model R-30

3M



Model D-30 Mainstation
78-9236-2695-2



Model R-30 Remote Station
78-8023-9005-9

Important

Read this operating guide completely before operating the unit.

Introduction

The 3M Brand INTRACOM System is precision-built for reliable operation in continuous-duty applications. The Mainstation provides maximum voice clarity under various noise conditions.

Installation

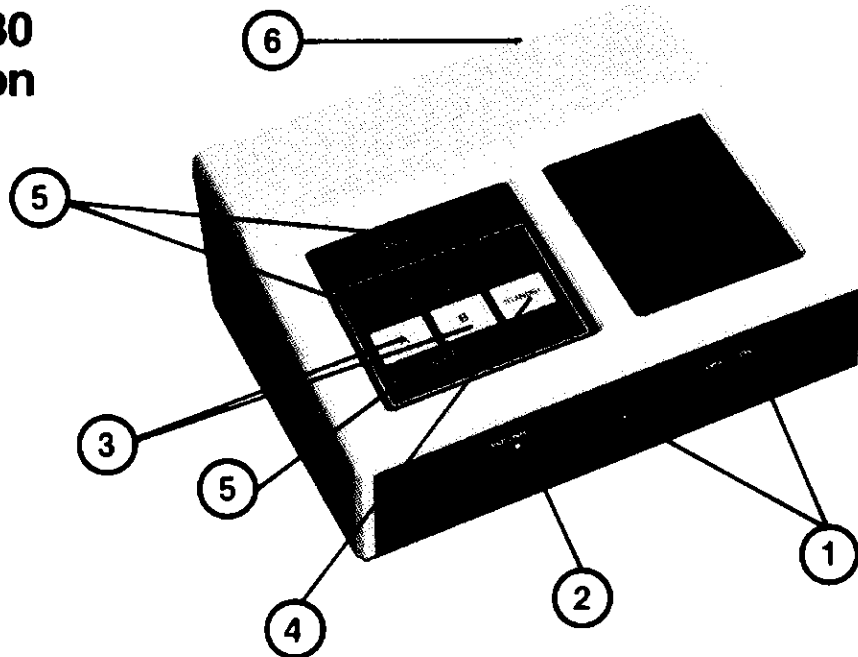
The System should be installed by an authorized 3M Sound Products dealer representative for proper connection.

Dealer Service

A network of authorized 3M Sound Products dealers can provide service backed by 3M's technical staff. For the name of your local dealer or technical assistance from 3M Company, contact:

Sound Products
3M Center, St. Paul, MN 55144-1000
Phone: 612/736-6223

Model D-30 Mainstation



Operating Controls

- 1. Power Switch** Activates D-30 system and green LED power indicator. Alert tone sounds and Channel A goes to listen mode, indicating system ready.
- 2. Volume Control** Adjusts the mainstation internal speaker (listen) sound level.
- 3. Talk Switch** Controls talk/listen communication for Channel A or Channel B. Operator touches switch to talk; releases switch to listen.
- 4. Standby Switch** Silences audio to eliminate undesired noise. Touching either the A or B touch/talk switch releases the standby mode. Vehicle Detection automatically places the system into the Channel A listen mode.
- 5. Indicator Lights** On each channel red light indicates TALK mode, green light indicates LISTEN mode. Yellow light indicates vehicle presence (when used

with 3M SODAR or magnetic loop detection system). All indicator lights are extinguished when mainstation is in the standby mode.

- 6. Standby Mode Switch** Automatic position causes the D-30 to automatically go from Channel A listen to standby unless presence is being sensed. Use automatic position only with presence function in sodar or loop vehicle detector system.

Operating Instructions

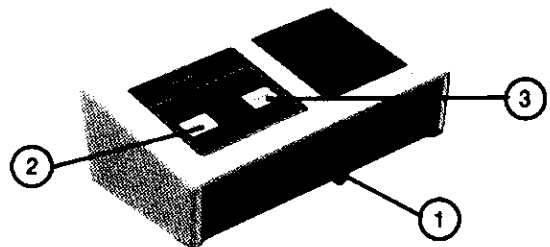
(Be sure power supply is plugged in.)

- Slide Power Switch to right (Green LED light and tone activated).
- Touch Switch "A" while speaking (Red talk light will activate for Channel A).
- Release Switch "A" to listen.
- Repeat steps 2 and 3 for Switch "B" to activate Channel B.
- Adjust Volume Control.
- Touch Standby Switch to silence Intracom.

NOTE: Certain volume level adjustments for alert tone and speakers are set by the installing service technician. For details, refer to installation instructions.

78-1754-9458-2

Model R-30 Remote Station



The R-30 Remote Station provides hands free communication with the D-30 Mainstation operator and communication with the customer.

- 1. Volume Control** Adjusts the remote station internal speaker (listen) sound level.
- 2. Talk Switch** Controls talk/listen communication between the remote station and the customer.
- 3. Standby Switch** Silences incoming audio to eliminate undesired noise.

3M Sound Products
3M Center
St. Paul, MN 55144-1000



E.S.S., Inc.
203 McMillin Street, Nashville TN 37203
Phone: 615-340-9033 Fax: 615-340-9642
www.essnashville.com



Innovation working for you™